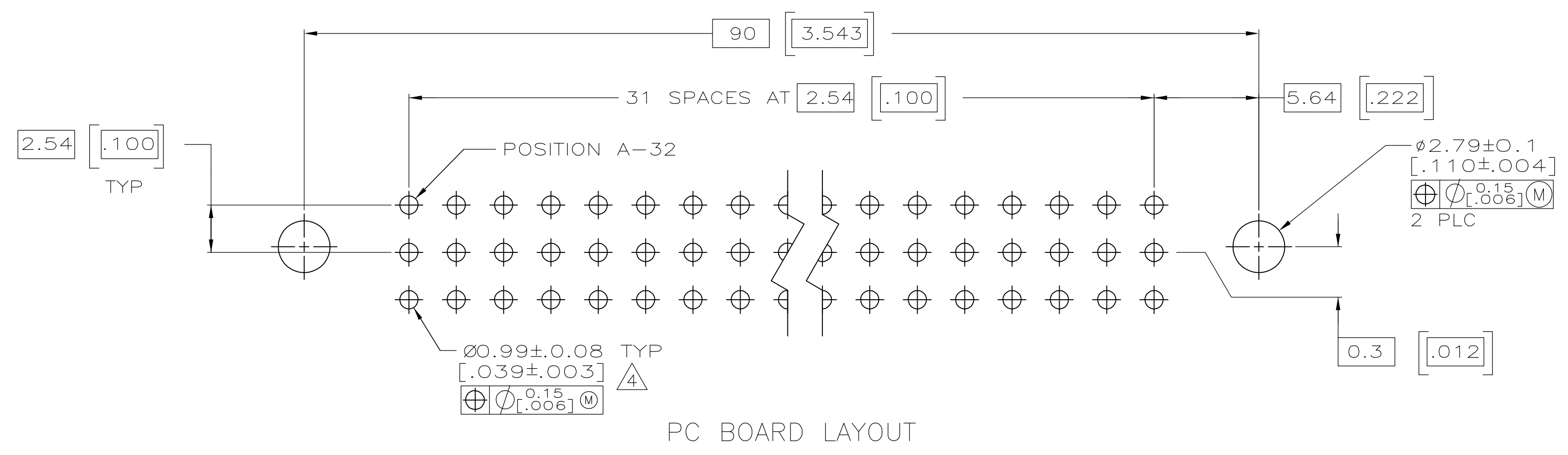
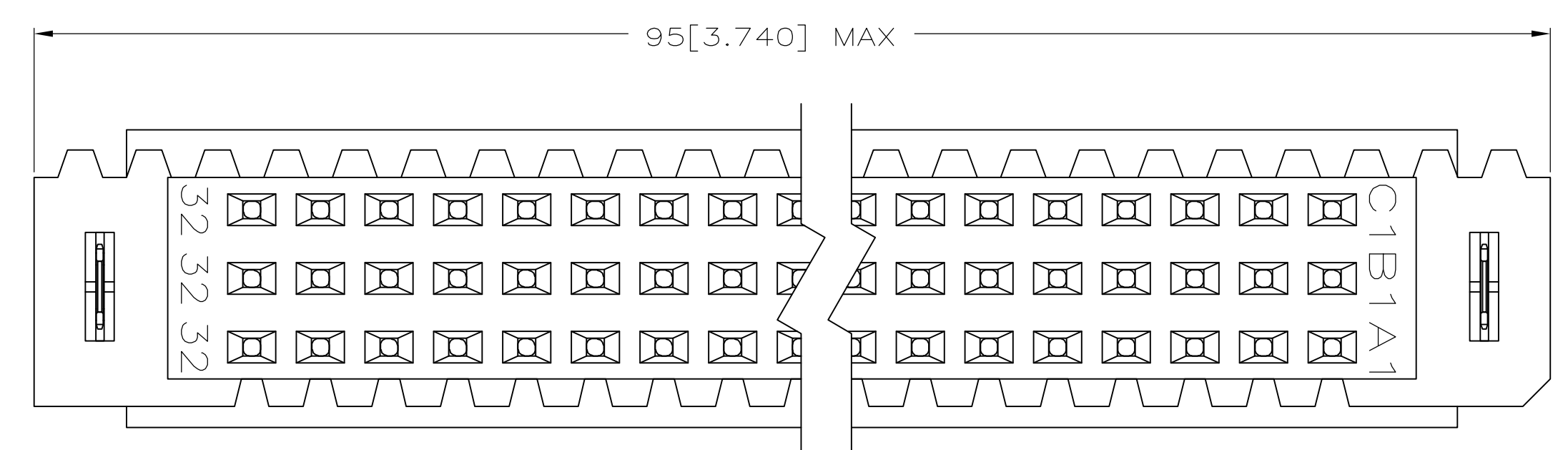
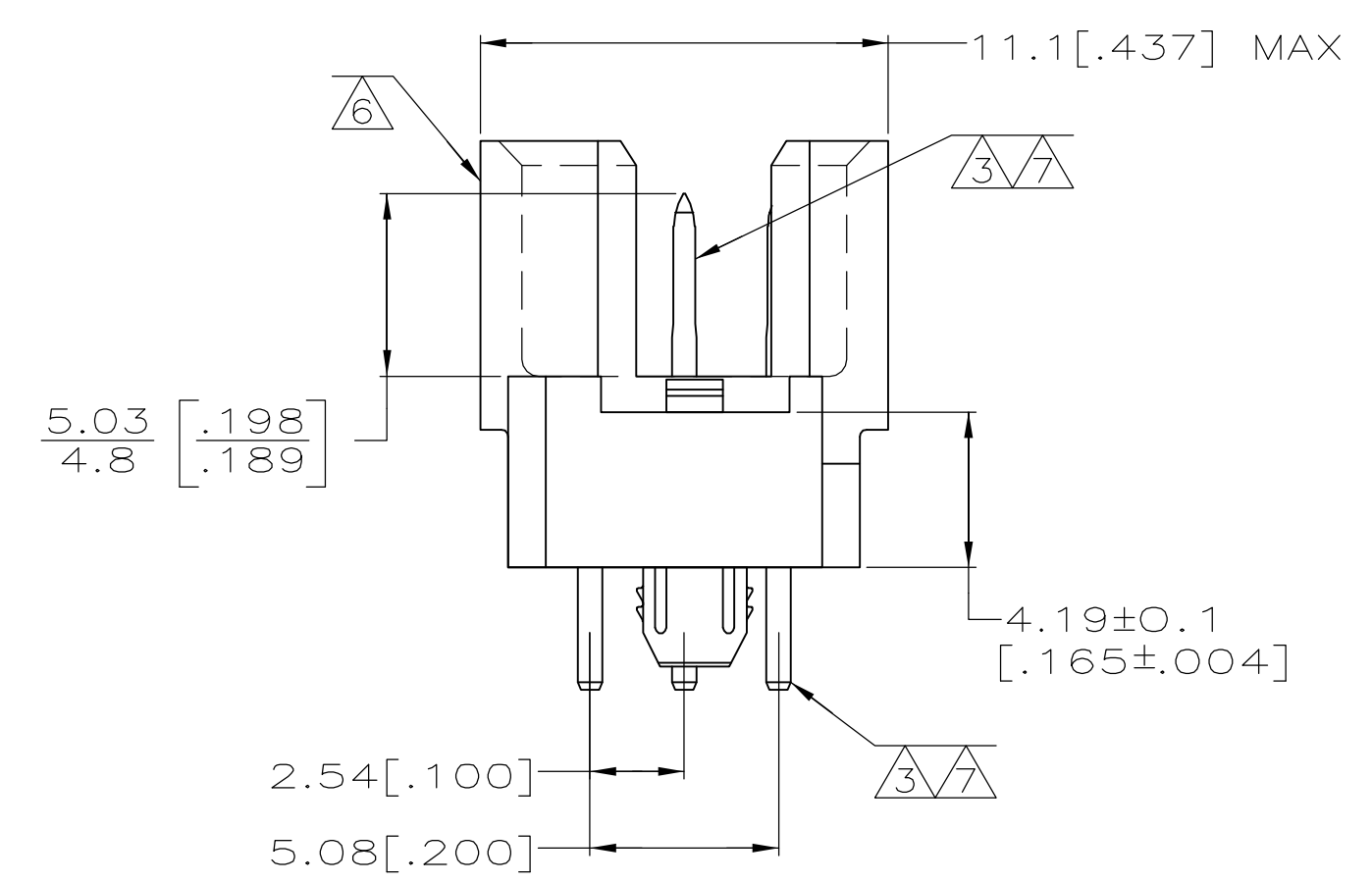
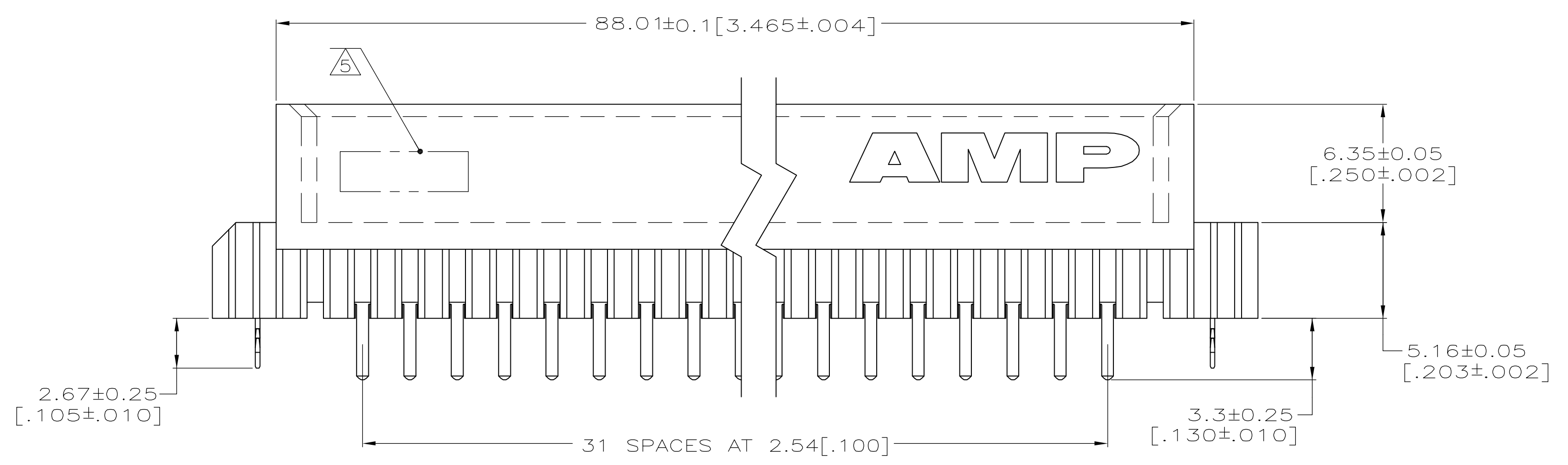
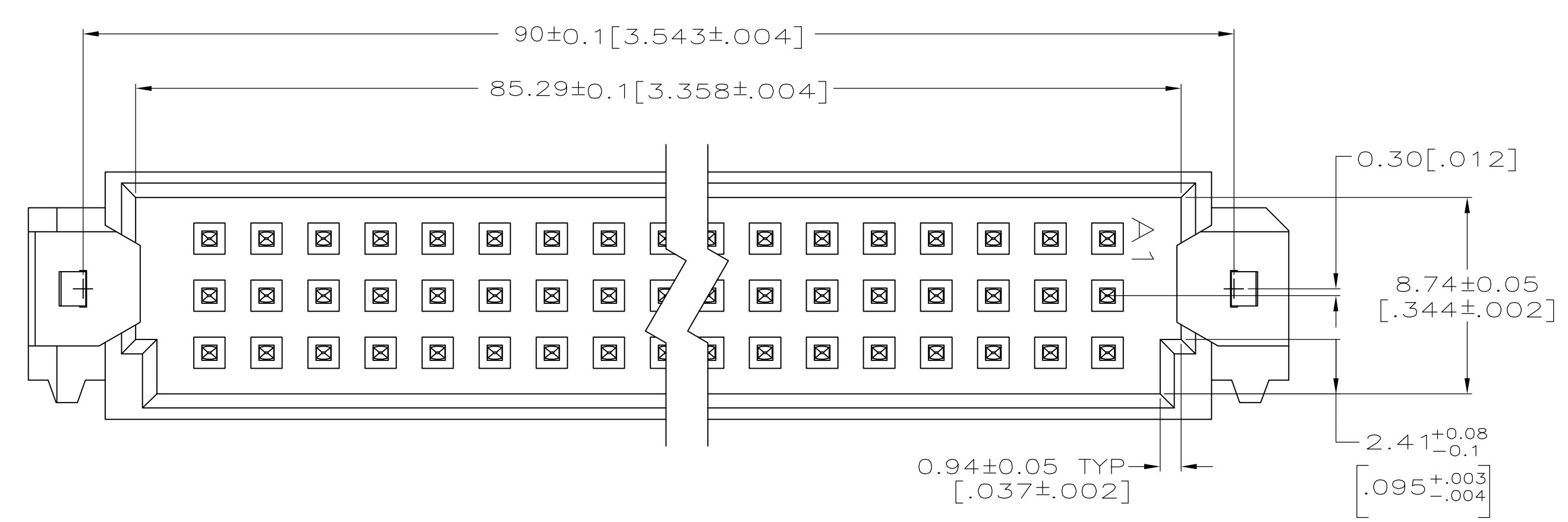


- ① HOUSING MATERIAL: GLASS-FILLED POLYESTER. COLOR: GRAY.
- ② POST MATERIAL: BRASS.
- ③ POST FINISH: DIN 41612 CLASS 2 IN CONTACT AREA. TIN-LEAD PLATE ON POSTS.
- ④ RECOMMENDED HOLE SIZE FOR MANUAL APPLICATION OF CONNECTOR ONTO PC BOARD.
- ⑤ PART NUMBER, DATE CODE MARKED THIS APPROXIMATE AREA.
- ⑥ MARKING ON THIS SIDE.
- ⑦ POST FINISH: DIN 41612 CLASS 3 IN CONTACT AREA. TIN-LEAD PLATE ON POSTS.



SUPERSEDED BY 536035-5	①	1-32	X	X	X	96	536035-9
OBSELETE	②	1-32	X	X	X	96	536035-5
NOTES		POSITIONS LOADED	C	B	A	NO. OF LOADED POSITIONS	PART NUMBER
		ROWS LOADED					

THIS DRAWING IS A CONTROLLED DOCUMENT.		DWN	L. BRINER	11/12/91	Tyco Electronics Corporation Harrisburg, PA 17105-3608
DIMENSIONS: mm [INCHES]		CHK	N. DRASHER	12/12/91	
TOLERANCES UNLESS OTHERWISE SPECIFIED:		APVD	N. DRASHER	12/12/91	NAME
0 PLC	± -	PRODUCT SPEC		PIN ASSEMBLY, EUROCARD, TYPE R, WITH BOARD-LOCKS	
1 PLC	± -	APPLICATION SPEC		SIZE	CAGE CODE
2 PLC	± -	MATERIAL		A1	00779
3 PLC	± 0.13 [.005]	FINISH		SCALE	5:1
4 PLC	± -	CUSTOMER DRAWING		SHEET	1 OF 1
ANGLES	± -	WEIGHT		REV	F